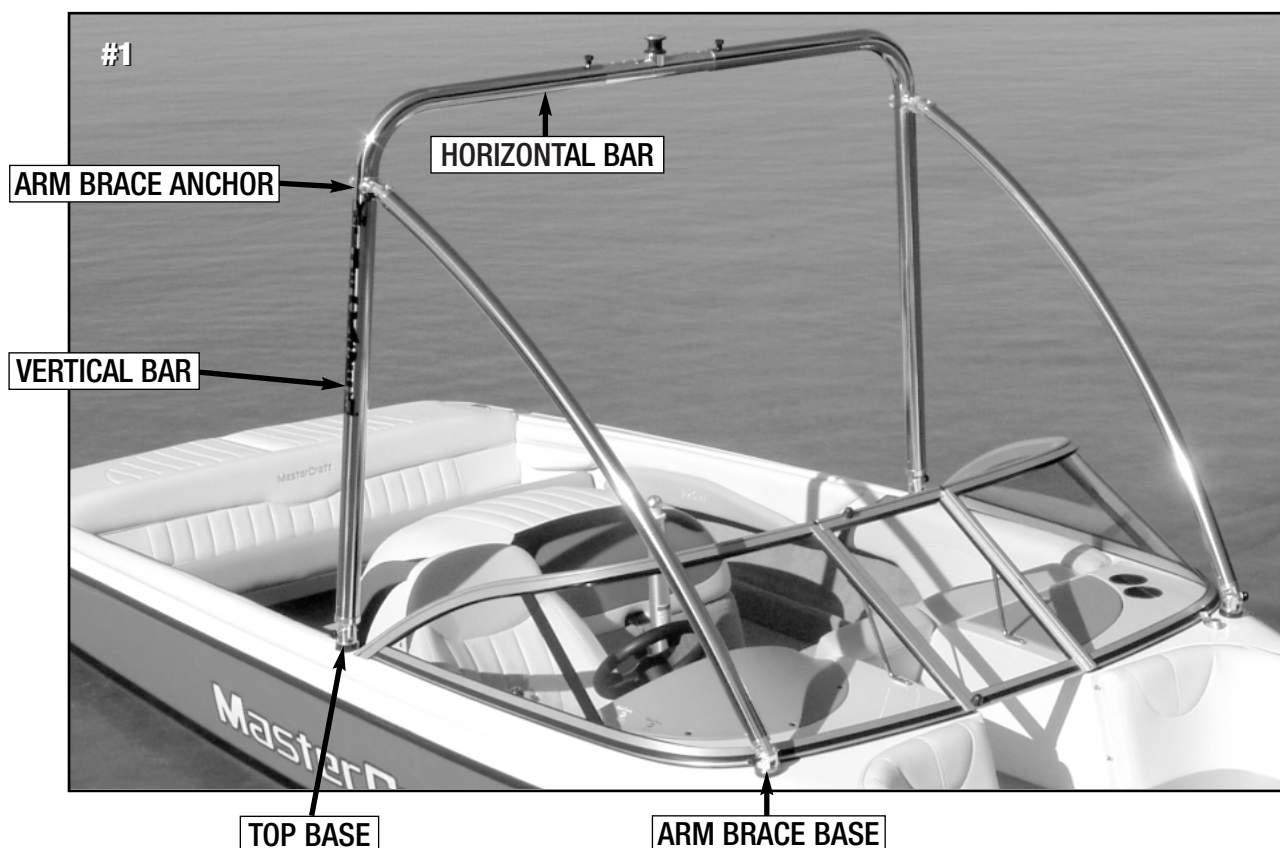


THE CAGE

Congratulations!
You have chosen the #1,
best built, strongest
product on the market.



BE SURE TO READ CAREFULLY ALL INSTALLATION INSTRUCTIONS, LIMITATIONS OF USE AND WARNINGS IN THESE INSTRUCTIONS. ALSO READ ALL WARNING LABELS ON THE CAGE.



Check list before each use:

- Check all hardware for correct function and wear before each use.
- Check to be sure all clevis pins, bolts and clevis hardware are secure.

- * Only one person at a time can use the Cage.
- * Do not exceed 40-45 degree angle from center when using Cage. It is designed to handle rear pull. (Diagram A)
- * Avoid sharp turns when using Cage.
- * Stay clear of low obstacles like bridges, wires and trees.
- * Do not use alcohol or drugs while operating boats.
- * Driver must use extreme caution and become familiar with variances in boat handling.
- * Do not use Cage to ski around boat. The skiing area is limited to 40-45° angle off each side from center of Cage. (See Diagram A for use area)

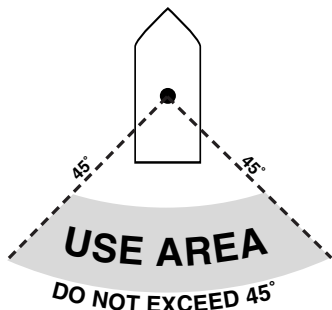
Assembly & Installation Instructions

Read all warnings and instructions before installing or using this Cage. Allow adequate time for initial installation (one to two hours) Tools needed: 1/2" drill bit, drill, and an adjustable wrench. Allen wrench supplied.

1. First, look at boat and find desired location to install Cage. Center of boat is best – right behind windshield. (See **Photo #1**) Get help to hold in place before drilling.
2. Mounting bases and base plates to boat. Be sure to check the underside of gunnel and make sure there is adequate plate area for bases and base plates. Also check for any steering throttle, other lines, and any other obstruction before drilling.
3. Lay the top base in desired location on both sides of the boat. Only mount top bases so the gap in them is perpendicular to the boat.
4. Mark and drill 1/2" holes on each side of base. (see **Illustration C**)
5. Insert 1/2" bolts through base, plastic gasket, and fiberglass of boat. (see **Illustration C**)
6. Place the base plate underneath gunnel of boat on bolts. Put 1/2" washers on bolts, then put the 1/2" lock nuts on bolts. (see **Illustration C**)
7. Tighten very securely all lock nuts on both sides of boat.
8. Now you need to assemble the Cage. (See **Photo #1**)
9. Put one vertical side of Cage in one base using one of the 2" x 1/2" hitch pins (these are the longer pins) supplied. (See **Photo #1** and **Photo #3**)

(over)

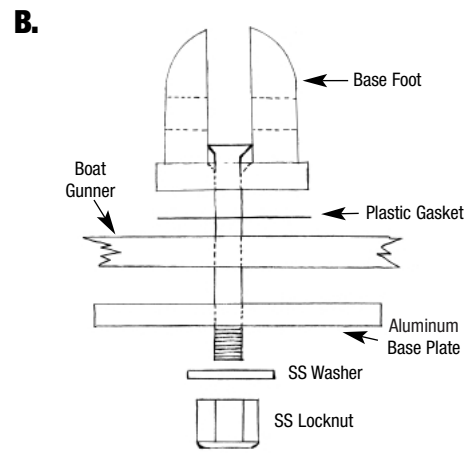
A. WARNING:
Do Not Use For
Kite Flying, Tubing or
ParaSailing



10. Slide the horizontal aluminum bar into one vertical side of Cage on boat. (See **Photo #1**)
11. Slide the other vertical side of Cage onto the other side of the horizontal bar. (See **Photo #1**)
12. Attach the other vertical side of the Cage onto other base using another 2" x 1/2" hitch pin.
13. Now you must set the width and pin the horizontal bar in place.
14. Push both sides of vertical Cage poles out and position horizontal bar in center.
15. Pin the nearest holes on each side to make horizontal bar centered. This is best done if you use holes that push tension on each side. If you use holes that push tension on each side, it eliminates rattle and vibration. At this stage, you can also create the tension to eliminate rattle by unpinning the vertical bar from the top base on one side to line up and center the horizontal bar. Pin it, and then push the vertical bar in place in the top base, and pin it.
16. Pin arm brace to arm brace anchors on each side of the 2 1/2" vertical Cage poles using 2" x 2 1/2" hitch pins. (See **Photo #1**)

17. Position Cage where desired, straight up and down, or lean forward slightly. (See **Photo #1**)
18. Mark and drill 1/2" holes on each side of boat for arm brace base. (See **Photo #1** and **Photo #2**)

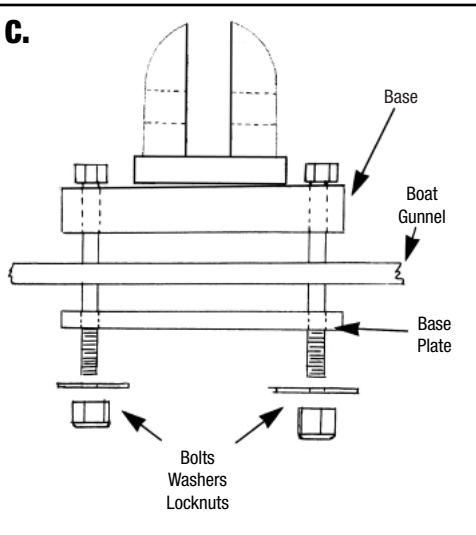
19. Insert 1/2" bolts through arm brace base and plastic gasket and fiberglass of boat (See **Illustration B** and **Photo #2**)
20. Place base plate underneath gunner of boat on bolts. Put 1/2" washers and 1/2" lock nuts on bolts. (See **Illustration B** and **Photo #2**)
21. Tighten very securely all lock nuts on both sides of boat.



From now on, the Cage can be taken on and off your boat in minutes.

Pins may be pulled and the cage layed down, or collapse in your boat where it best lies

(See Photo #4).



For assembly problems or any questions, call:

1-800-932-0685 (Outside USA call: 414-964-3668)



Barefoot International/Fly High

**3879 N. Richards St.
 Milwaukee, WI 53212**